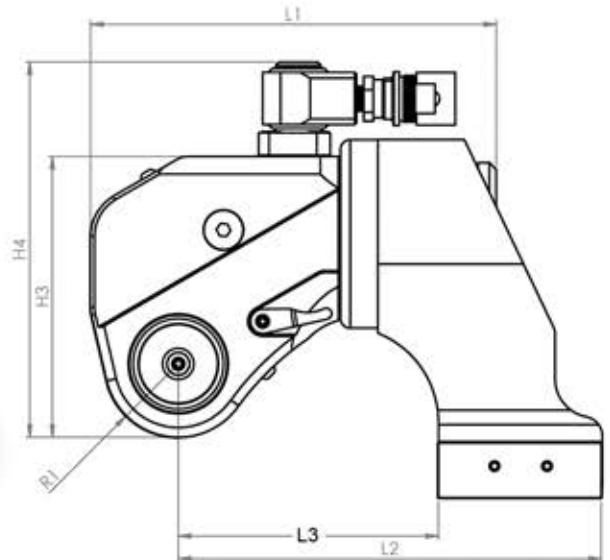
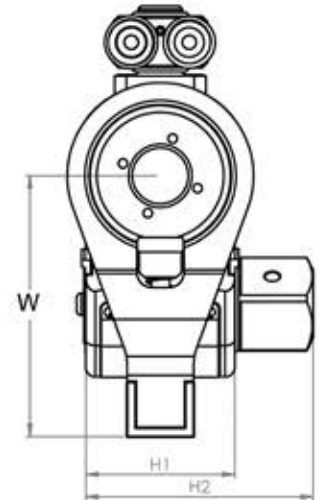


# MAXDRV

MAXDRV Series Square Drive Torque Wrenches offer a compact design, constructed of aluminum alloy and high strength steel alloy for increased strength and durability while minimizing the weight. The MAXDRV Series offers a torque range of 64 ft-lbs. to 32,523 ft-lbs.



Model	.7MD	1MD	3MD	5MD	10MD	17MD	32MD
Torque (Ft-Lbs.)	64-793	125-1,318	308-3,167	525-5,480	1,050-11,206	1,653-18,446	2,957-32,523
Drive	3/4"	3/4"	1"	1-1/2"	1-1/2"	2-1/2"	2-1/2"
Weight	3.2 lbs	5 lbs	11 lbs	18 lbs	32 lbs	61 lbs	98 lbs.
L1	3.90"	4.83"	6.18"	7.47"	9.36"	10.85"	13.34"
L2	5.08"	6.23"	8.13"	9.73"	12.22"	14.20"	17.41"
L3	3.32"	4.11"	5.31"	6.41"	8.02"	9.19"	11.41"
H1	1.62"	1.97"	2.63"	3.16"	3.95"	4.63"	5.63"
H2	2.56"	2.88"	3.72"	4.93"	5.75"	6.98"	8.10"
H3	3.02"	3.77"	4.88"	5.97"	7.35"	8.50"	10.47"
H4	4.29"	4.97"	6.46"	7.71"	9.04"	10.36"	12.17"
W	1.50"	3.45"	4.49"	5.39"	6.73"	7.82"	9.60"
R1	.83"	1.04"	1.31"	1.63"	2.03"	2.32"	2.88"