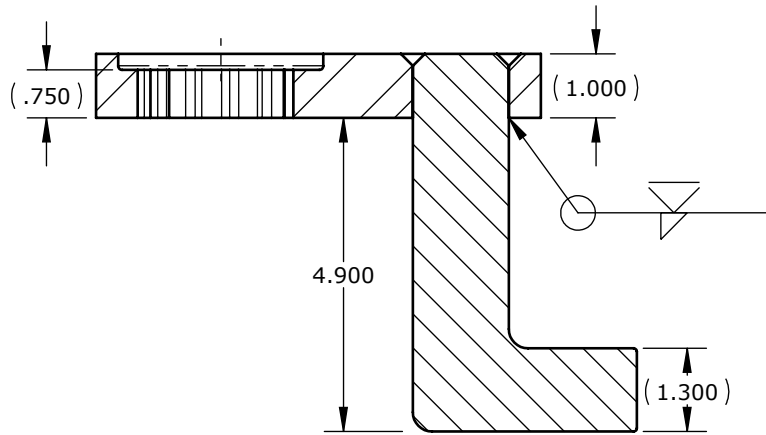
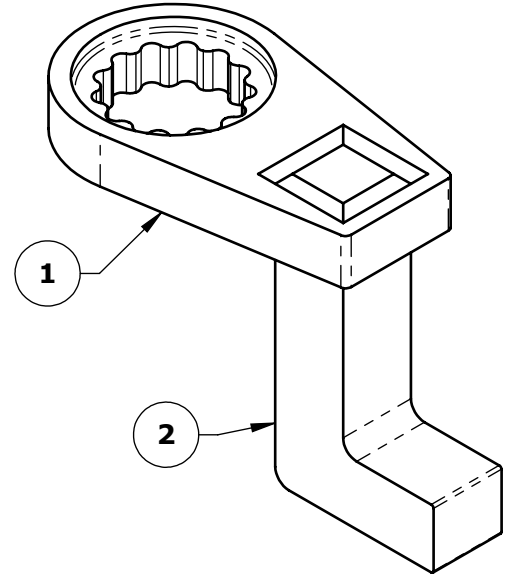
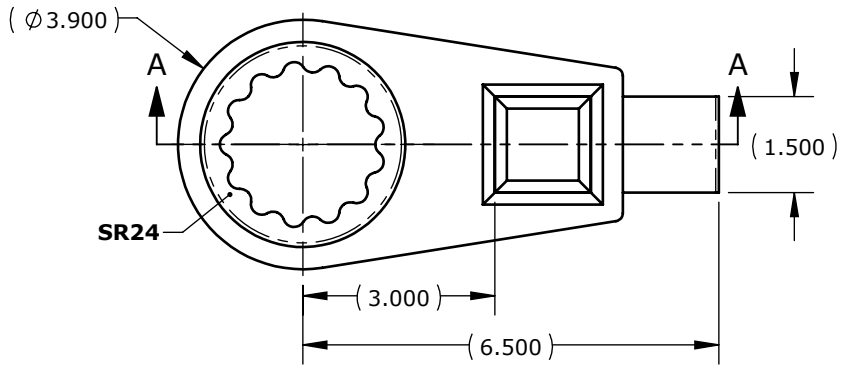


**DO NOT SCALE DRAWING**



**SECTION A-A**

RELEASED FOR FABRICATION  
ENGINEERING N.D. DATE 17.06.14

**NOTES:**

FINISH: YELLOW CHROMATE DIP

ITEM NO.	PART NUMBER	DESCRIPTION	QTY.
1	27246A	BLANK-3.0-1.5/1.5-5.0-1.0-SR24	1
2	25009A	ARM 5.90-3.50-1.5-90	1

REV.	DESCRIPTION	ENG.	E.C.O.	YY.MM.DD	UNLESS OTHERWISE SPECIFIED DIMENSIONS ARE IN INCHES.	C.A.D. SCALE 1:3	PROPRIETARY AND CONFIDENTIAL		
					TOLERANCES AND SURFACE FINISH:	MATERIAL	THE INFORMATION CONTAINED HEREIN IS THE CONFIDENTIAL PROPERTY OF NEW WORLD TECHNOLOGIES. ANY REPRODUCTION WITHOUT PRIOR WRITTEN CONSENT FROM NEW WORLD TECHNOLOGIES IS STRICTLY PROHIBITED.		
					DECIMAL LINEAR ANGULAR T.I.R. POSITION FINISH	WEIGHT	NEW WORLD TECHNOLOGIES INCORPORATED		
					.xxxx ±.002 ±.05° .002 Ø.002 32RA	NAME YY.MM.DD	NEW WORLD TECHNOLOGIES INCORPORATED		
					.xxx ±.005 ±.10° .005 Ø.005 63RA	DRAWN N.D. 17.06.14	ABBOTSFORD, BRITISH COLUMBIA, CANADA		
					.xx ±.010 ±.25° .010 Ø.010 125RA	ENG. CHKD D.S.	Phone: 604-852-0405, Fax: 604-852-0269		
					.x ±.020 ±.50° .020 Ø.020 250RA	Q.A. CHKD A.M.	Website: www.radtorque.com		
					. ±.063 ±1.0° .063 Ø.063 500RA	MFG. CHKD P.M.	TITLE		
					BREAK EDGES, UNLESS NOTED .016±.003 x 45°	ENG. APPD D.S.	RA-4.9-3.0/6.5-90-30DX-1.0-SR24		
					FILLETS, UNLESS NOTED R.010±.003	Third Angle Projection	DWG. NO. 27231A	REV. SHT. 1/1	SZ. A