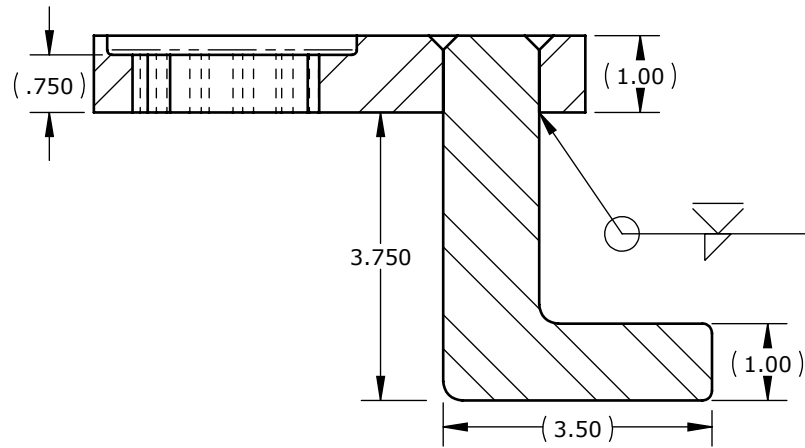
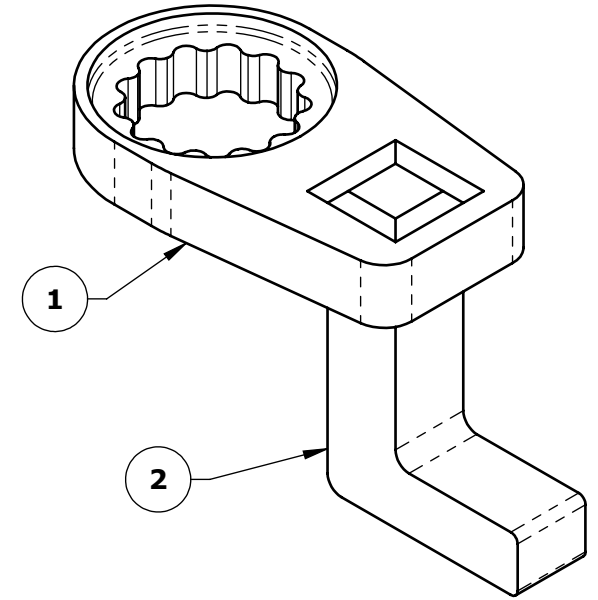
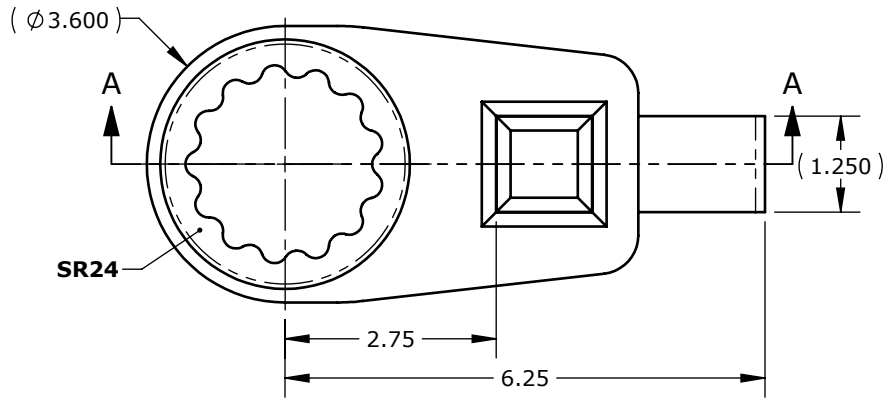


**DO NOT SCALE DRAWING**



**SECTION A-A**

RELEASED FOR FABRICATION  
ENGINEERING N.D. DATE 17.05.03

**NOTES:**  
FINISH: YELLOW CHROMATE DIP

ITEM NO.	PART NUMBER	DESCRIPTION	QTY.
1	27021A	BLANK-2.75-1.25/1.25-4.6-1.0-SR24	1
2	27027A	ARM-4.75-3.5-1.25-90	1

REV.	DESCRIPTION	ENG.	E.C.O.	YY.MM.DD

UNLESS OTHERWISE SPECIFIED DIMENSIONS ARE IN INCHES.

TOLERANCES AND SURFACE FINISH:

DECIMAL	LINEAR	ANGULAR	T.I.R.	POSITION	FINISH
.xxxx	±.002	±.05°	.002	Ø.002	32RA
.xxx	±.005	±.10°	.005	Ø.005	63RA
.xx	±.010	±.25°	.010	Ø.010	125RA
.x	±.020	±.50°	.020	Ø.020	250RA
.	±.063	±1.0°	.063	Ø.063	500RA

BREAK EDGES, UNLESS NOTED .016±.003 x 45°  
FILLETS, UNLESS NOTED R.010±.003

C.A.D. SCALE 2:5

MATERIAL

WEIGHT

DRAWN	NAME	YY.MM.DD

**NEW WORLD TECHNOLOGIES INCORPORATED**

THE INFORMATION CONTAINED HEREIN IS THE CONFIDENTIAL PROPERTY OF NEW WORLD TECHNOLOGIES. ANY REPRODUCTION WITHOUT PRIOR WRITTEN CONSENT FROM NEW WORLD TECHNOLOGIES IS STRICTLY PROHIBITED.

NEW WORLD TECHNOLOGIES INCORPORATED  
ABBOTSFORD, BRITISH COLUMBIA, CANADA  
Phone: 604-852-0405, Fax: 604-852-0269  
Website: www.radtorque.com

TITLE **RA-3.75-2.75/6.25-90-30DX-1.0-SR24**

Third Angle Projection

DWG. NO. **27022A** REV. SHT. **1/1** SZ. **A**