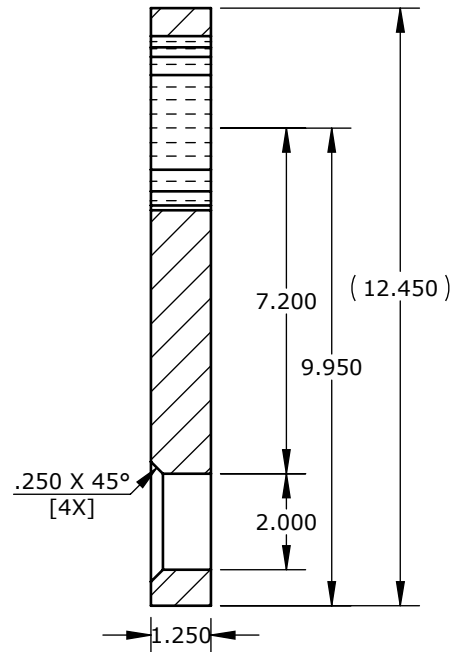
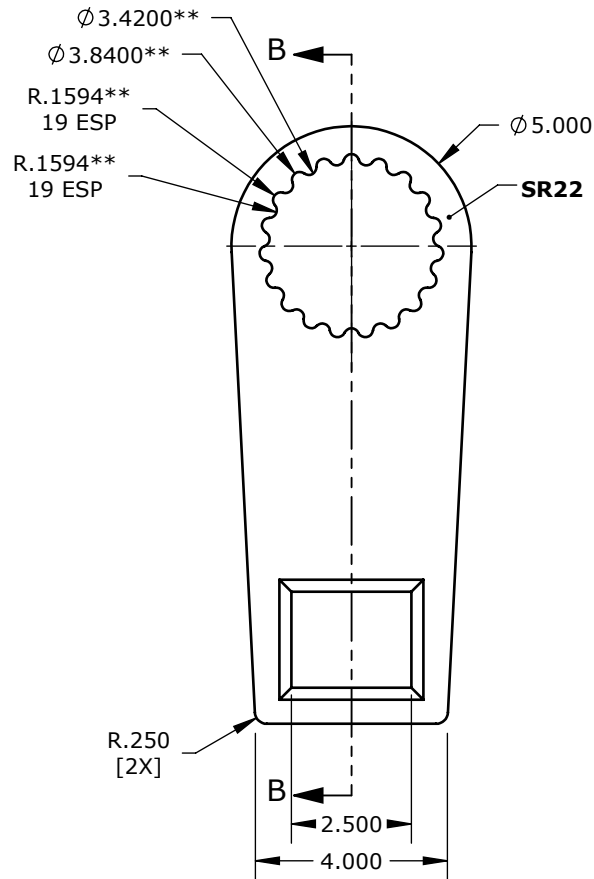
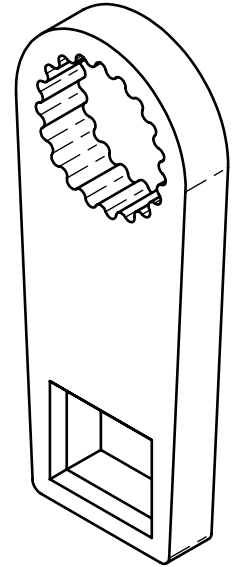


DO NOT SCALE DRAWING




SECTION B-B



RELEASED FOR FABRICATION
ENGINEERING N.D. DATE 16.10.26

NOTES:

USE NWT GAUGE SR22-INTERNAL TO CHECK SERPENTINE (DIMENSIONS MARKED **)

REV.	DESCRIPTION	ENG.	E.C.O.	YY.MM.DD	UNLESS OTHERWISE SPECIFIED DIMENSIONS ARE IN INCHES.	C.A.D. SCALE 1:4	 PROPRIETARY AND CONFIDENTIAL <small>THE INFORMATION CONTAINED HEREIN IS THE CONFIDENTIAL PROPERTY OF NEW WORLD TECHNOLOGIES. ANY REPRODUCTION WITHOUT PRIOR WRITTEN CONSENT FROM NEW WORLD TECHNOLOGIES IS STRICTLY PROHIBITED.</small>		
					TOLERANCES AND SURFACE FINISH:	MATERIAL T1	<small>NEW WORLD TECHNOLOGIES INCORPORATED</small> <small>ABBOTSFORD, BRITISH COLUMBIA, CANADA</small> <small>Phone: 604-852-0405, Fax: 604-852-0269</small> <small>Website: www.radtorque.com</small>		
					DECIMAL LINEAR ANGULAR T.I.R. POSITION FINISH	WEIGHT	NEW WORLD TECHNOLOGIES INCORPORATED <small>INCORPORATED</small>		
					.xxxx ±.002 ±.05° .002 Ø.002 32RA	NAME N.D.	YY.MM.DD 16.10.26	TITLE BLANK-7.2-2.0/2.5-9.95-1.25-SR22	
					.xxx ±.005 ±.10° .005 Ø.005 63RA	ENG. CHKD D.S.		DWG. NO. 26159A	
					.xx ±.010 ±.25° .010 Ø.010 125RA	Q.A. CHKD K.P.		REV. SHT. 1/1	
					.x ±.020 ±.50° .020 Ø.020 250RA	MFG. CHKD P.M.		SZ. A	
					. ±.063 ±1.0° .063 Ø.063 500RA	ENG. APPD D.S.		<small>Third Angle Projection</small>	
					BREAK EDGES, UNLESS NOTED .016±.003 x 45°				
					FILLETS, UNLESS NOTED R.010±.003				