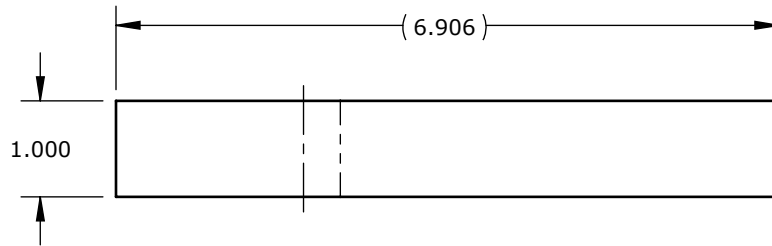
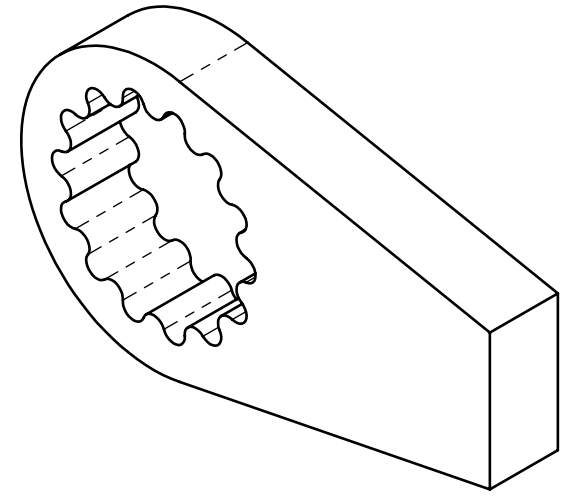
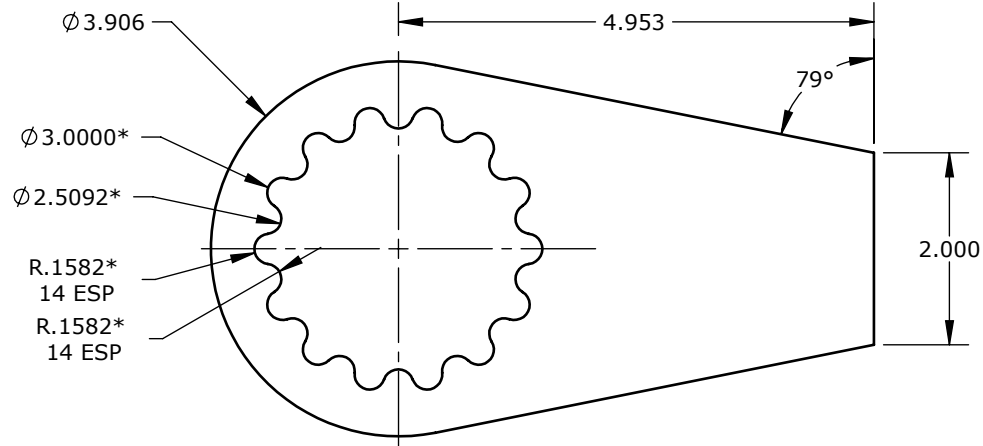


**DO NOT SCALE DRAWING**



RELEASED FOR FABRICATION  
ENGINEERING N.D. DATE 16.10.20

**NOTES:**

1. USE NWT GAUGE SR18-INTERNAL TO CHECK SERPENTINE (DIMENSIONS MARKED \*)

REV.	DESCRIPTION	ENG.	E.C.O.	YY.MM.DD	UNLESS OTHERWISE SPECIFIED DIMENSIONS ARE IN INCHES.	C.A.D. SCALE	1:2	NEW WORLD TECHNOLOGIES INCORPORATED			PROPRIETARY AND CONFIDENTIAL
					TOLERANCES AND SURFACE FINISH:	MATERIAL	T1	NEW WORLD TECHNOLOGIES INCORPORATED			THE INFORMATION CONTAINED HEREIN IS THE CONFIDENTIAL PROPERTY OF NEW WORLD TECHNOLOGIES. ANY REPRODUCTION WITHOUT PRIOR WRITTEN CONSENT FROM NEW WORLD TECHNOLOGIES IS STRICTLY PROHIBITED.
					DECIMAL LINEAR ANGULAR T.I.R. POSITION FINISH	WEIGHT		NEW WORLD TECHNOLOGIES INCORPORATED			NEW WORLD TECHNOLOGIES INCORPORATED ABBOTSFORD, BRITISH COLUMBIA, CANADA Phone: 604-852-0405, Fax: 604-852-0269 Website: www.radtorque.com
					.xxxx ±.002 ±.05° .002 Ø.002 32RA	DRAWN	N.D.	YY.MM.DD	16.10.11	TITLE	<b>BLANK WELDABLE 50DX SR18</b>
					.xxx ±.005 ±.10° .005 Ø.005 63RA	ENG. CHKD	D.S.				
					.xx ±.010 ±.25° .010 Ø.010 125RA	Q.A. CHKD	K.P.				
					.x ±.020 ±.50° .020 Ø.020 250RA	MFG. CHKD	P.M.				
					. ±.063 ±1.0° .063 Ø.063 500RA	ENG. APPD	D.S.				
					BREAK EDGES, UNLESS NOTED .016±.003 x 45°	Third Angle Projection		DWG. NO.	26120A	REV. SHT.	1/1
					FILLETS, UNLESS NOTED R.010±.003						SZ. A