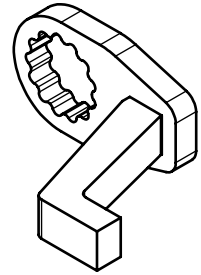
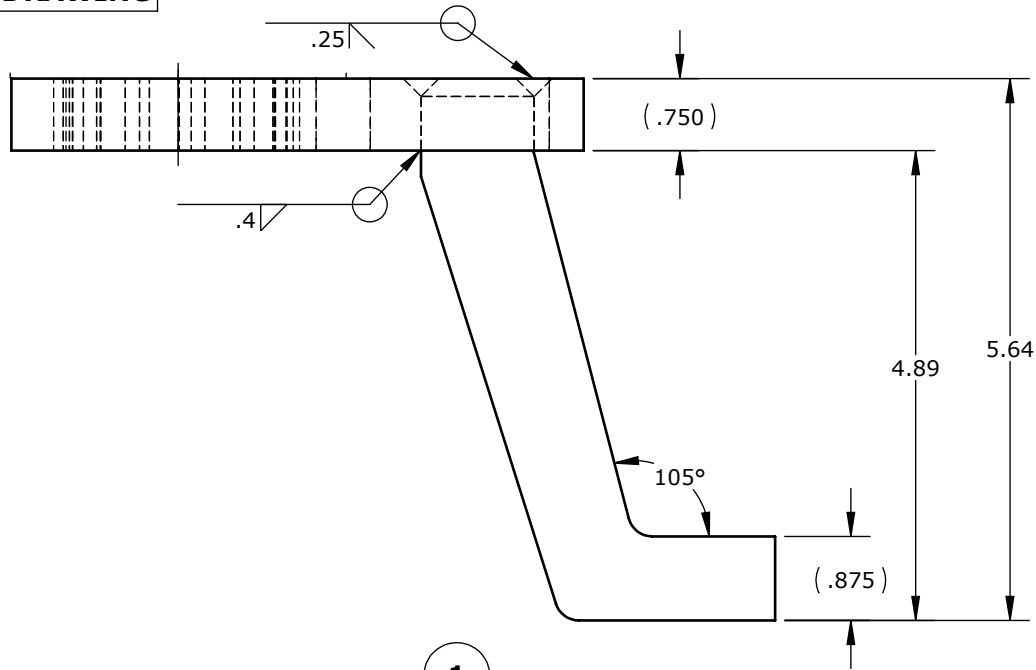
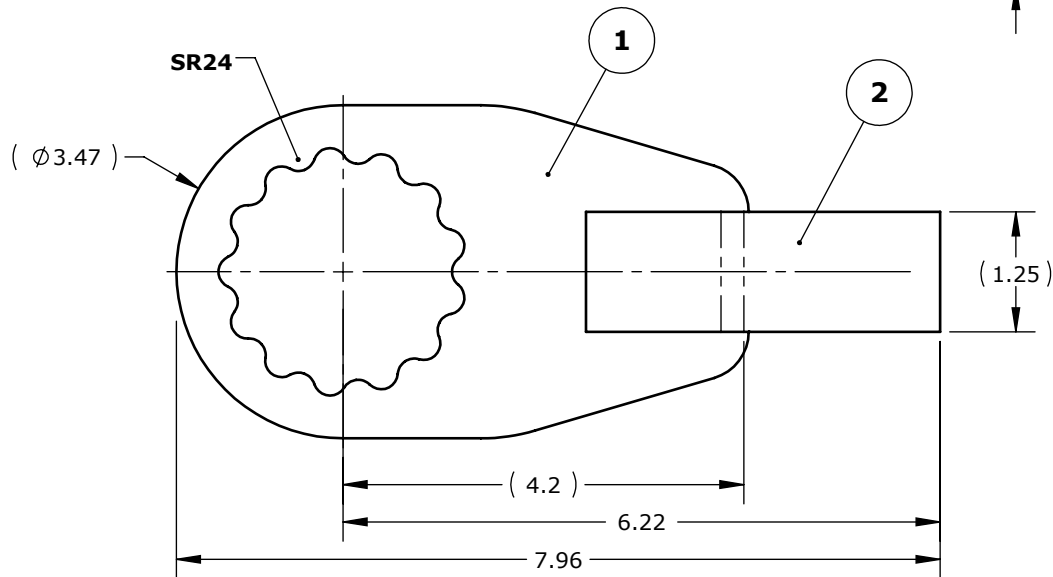


DO NOT SCALE DRAWING



SCALE 1:5



RELEASED FOR FABRICATION
ENGINEERING K.T. DATE 16.01.06

NOTE:
YELLOW CHROMATE DIP.

ITEM NO.	PART NUMBER	DESCRIPTION	QTY.
1	21480A	BLANK 3.12 CC .75 SR24	1
2	11674C	RAD 30 DEEP ARM	1

REV.	DESCRIPTION	ENG.	E.C.O.	YY.MM.DD	UNLESS OTHERWISE SPECIFIED DIMENSIONS ARE IN INCHES.	C.A.D. SCALE	1:2	NEW WORLD TECHNOLOGIES INCORPORATED			PROPRIETARY AND CONFIDENTIAL																																						
					TOLERANCES AND SURFACE FINISH:			<table border="1"> <tr> <th>DECIMAL</th> <th>LINEAR</th> <th>ANGULAR</th> <th>T.I.R.</th> <th>POSITION</th> <th>FINISH</th> </tr> <tr> <td>.xxxx</td> <td>±.002</td> <td>±.05°</td> <td>.002</td> <td>Ø.002</td> <td>32RA</td> </tr> <tr> <td>.xxx</td> <td>±.005</td> <td>±.10°</td> <td>.005</td> <td>Ø.005</td> <td>63RA</td> </tr> <tr> <td>.xx</td> <td>±.010</td> <td>±.25°</td> <td>.010</td> <td>Ø.010</td> <td>125RA</td> </tr> <tr> <td>.x</td> <td>±.020</td> <td>±.50°</td> <td>.020</td> <td>Ø.020</td> <td>250RA</td> </tr> <tr> <td>.</td> <td>±.063</td> <td>±1.0°</td> <td>.063</td> <td>Ø.063</td> <td>500RA</td> </tr> </table>			DECIMAL	LINEAR	ANGULAR	T.I.R.	POSITION	FINISH	.xxxx	±.002	±.05°	.002	Ø.002	32RA	.xxx	±.005	±.10°	.005	Ø.005	63RA	.xx	±.010	±.25°	.010	Ø.010	125RA	.x	±.020	±.50°	.020	Ø.020	250RA	.	±.063	±1.0°	.063	Ø.063	500RA	<p>THE INFORMATION CONTAINED HEREIN IS THE CONFIDENTIAL PROPERTY OF NEW WORLD TECHNOLOGIES. ANY REPRODUCTION WITHOUT PRIOR WRITTEN CONSENT FROM NEW WORLD TECHNOLOGIES IS STRICTLY PROHIBITED.</p> <p>NEW WORLD TECHNOLOGIES INCORPORATED ABBOTSFORD, BRITISH COLUMBIA, CANADA Phone: 604-852-0405, Fax: 604-852-0269 Website: www.radtorque.com</p>		
DECIMAL	LINEAR	ANGULAR	T.I.R.	POSITION	FINISH																																												
.xxxx	±.002	±.05°	.002	Ø.002	32RA																																												
.xxx	±.005	±.10°	.005	Ø.005	63RA																																												
.xx	±.010	±.25°	.010	Ø.010	125RA																																												
.x	±.020	±.50°	.020	Ø.020	250RA																																												
.	±.063	±1.0°	.063	Ø.063	500RA																																												
					BREAK EDGES, UNLESS NOTED .016±.003 x 45°			<table border="1"> <tr> <th>WEIGHT</th> <th>NAME</th> <th>YY.MM.DD</th> </tr> <tr> <td></td> <td>K.T.</td> <td>15.01.06</td> </tr> </table>			WEIGHT	NAME	YY.MM.DD		K.T.	15.01.06	<p>NEW WORLD TECHNOLOGIES INCORPORATED</p>																																
WEIGHT	NAME	YY.MM.DD																																															
	K.T.	15.01.06																																															
					FILLETS, UNLESS NOTED R.010±.003			<table border="1"> <tr> <th>DRAWN</th> <th>NAME</th> <th>YY.MM.DD</th> </tr> <tr> <td></td> <td>K.T.</td> <td>15.01.06</td> </tr> <tr> <th>ENG. CHKD</th> <th>NAME</th> <th>YY.MM.DD</th> </tr> <tr> <td></td> <td>D.S.</td> <td></td> </tr> <tr> <th>Q.A. CHKD</th> <th>NAME</th> <th>YY.MM.DD</th> </tr> <tr> <td></td> <td>J.A.</td> <td></td> </tr> <tr> <th>MFG. CHKD</th> <th>NAME</th> <th>YY.MM.DD</th> </tr> <tr> <td></td> <td>J.A.</td> <td></td> </tr> <tr> <th>ENG. APPD</th> <th>NAME</th> <th>YY.MM.DD</th> </tr> <tr> <td></td> <td>D.S.</td> <td></td> </tr> </table>			DRAWN	NAME	YY.MM.DD		K.T.	15.01.06	ENG. CHKD	NAME	YY.MM.DD		D.S.		Q.A. CHKD	NAME	YY.MM.DD		J.A.		MFG. CHKD	NAME	YY.MM.DD		J.A.		ENG. APPD	NAME	YY.MM.DD		D.S.		<p>TITLE REACTION ARM 4.89-4.2/6.2-104 30DX DEEP-.75-SR24</p>								
DRAWN	NAME	YY.MM.DD																																															
	K.T.	15.01.06																																															
ENG. CHKD	NAME	YY.MM.DD																																															
	D.S.																																																
Q.A. CHKD	NAME	YY.MM.DD																																															
	J.A.																																																
MFG. CHKD	NAME	YY.MM.DD																																															
	J.A.																																																
ENG. APPD	NAME	YY.MM.DD																																															
	D.S.																																																
								<p>Third Angle Projection</p>			<p>DWG. NO. 24814A REV. SHT. 1/1 SZ. A</p>																																						