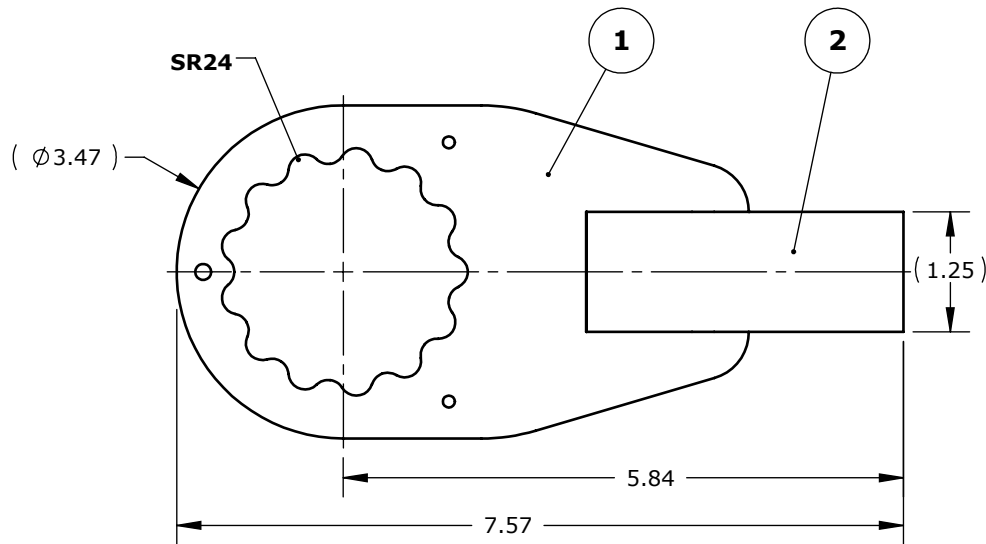
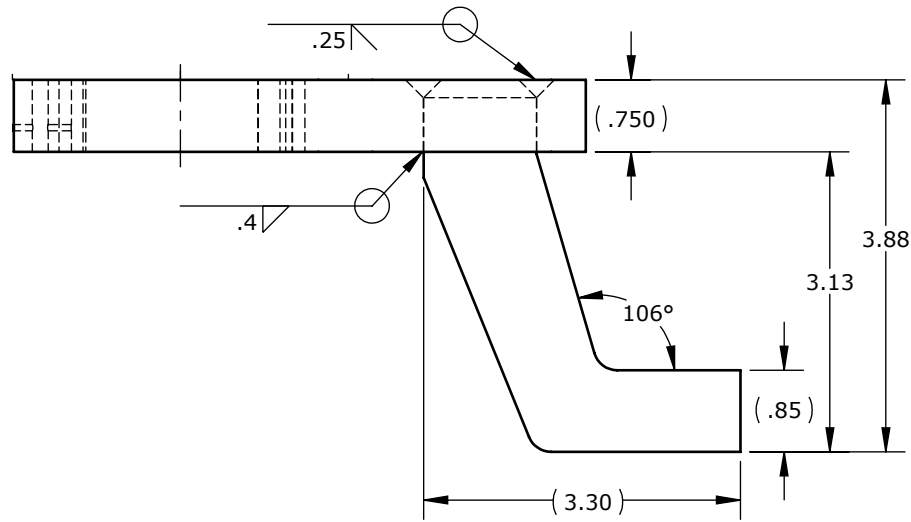
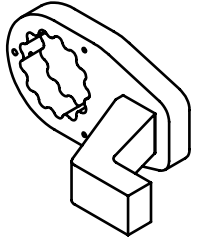


**DO NOT SCALE DRAWING**



**NOTE:**  
YELLOW CHROMATE DIP.

RELEASED FOR FABRICATION  
ENGINEERING N.D. DATE 16.08.16

REV.	DESCRIPTION	ENG.	E.C.O.	YY.MM.DD
B	ADDED HOLES FOR INSTALLATION OF RETAINING CLIPS	N.D.	0264	16.08.09

UNLESS OTHERWISE SPECIFIED DIMENSIONS ARE IN INCHES.

TOLERANCES AND SURFACE FINISH:

DECIMAL	LINEAR	ANGULAR	T.I.R.	POSITION	FINISH
.xxxx	±.002	±.05°	.002	Ø.002	32RA
.xxx	±.005	±.10°	.005	Ø.005	63RA
.xx	±.010	±.25°	.010	Ø.010	125RA
.x	±.020	±.50°	.020	Ø.020	250RA
.	±.063	±1.0°	.063	Ø.063	500RA

BREAK EDGES, UNLESS NOTED .016±.003 x 45°  
FILLETS, UNLESS NOTED R.010±.003

ITEM NO.	PART NUMBER	DESCRIPTION	QTY.
1	21480B	BLANK-2.53-1.18/1.25-4.225-0.75-SR24	1
2	11670C	ARM	1

C.A.D. SCALE 1:2			<b>PROPRIETARY AND CONFIDENTIAL</b> THE INFORMATION CONTAINED HEREIN IS THE CONFIDENTIAL PROPERTY OF NEW WORLD TECHNOLOGIES. ANY REPRODUCTION WITHOUT PRIOR WRITTEN CONSENT FROM NEW WORLD TECHNOLOGIES IS STRICTLY PROHIBITED. NEW WORLD TECHNOLOGIES INCORPORATED ABBOTSFORD, BRITISH COLUMBIA, CANADA Phone: 604-852-0405, Fax: 604-852-0269 Website: www.radtorque.com
MATERIAL			
WEIGHT			
DRAWN	D.S.		15.08.19
ENG. CHKD	D.S.		15.08.20
Q.A. CHKD	J.A.		15.08.21
MFG. CHKD	J.A.		15.08.21
ENG. APPD	D.S.	15.08.21	

**RA 3.13 EXT 106 RAD 30DX .75 SR24**

DWG. NO. **21482B** REV. SHT. 1/1 SZ. A