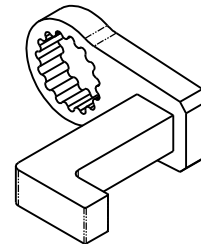
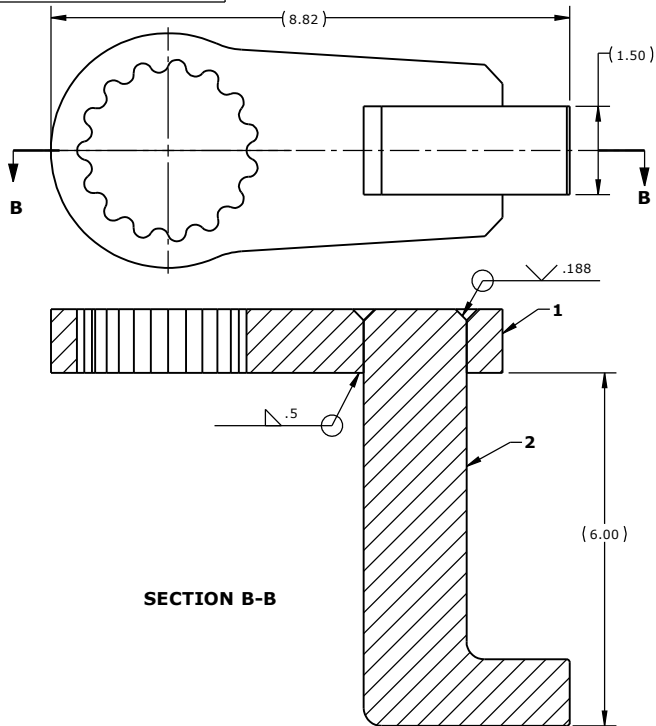


DO NOT SCALE DRAWING



NOTES:
1. FINISH: YELLOW CHROMATE

ITEM NO.	PART NUMBER	DESCRIPTION	QTY.
1	16260A	REACTION BLANK SR14	1
2	17605A	Q12065 - E-RAD 60DX ARM - 90°	1

REV.	DESCRIPTION	ENG.	E.C.O.	YY.MM.DD	UNLESS OTHERWISE SPECIFIED DIMENSIONS ARE IN INCHES.	C.A.D. SCALE	1:2	WEIGHT	N/A	PROPRIETARY AND CONFIDENTIAL
					TOLERANCES AND SURFACE FINISH:					THE INFORMATION CONTAINED HEREIN IS THE CONFIDENTIAL PROPERTY OF NEW WORLD TECHNOLOGIES. ANY REPRODUCTION WITHOUT PRIOR WRITTEN CONSENT FROM NEW WORLD TECHNOLOGIES IS STRICTLY PROHIBITED.
					DECIMAL	LINEAR	ANGULAR	T.I.R.	POSITION	FINISH
					.xxxx	±.002	±.05°	.002	Ø.002	32RA
					xxxx	±.005	±.10°	.005	Ø.005	53RA
					xx	±.010	±.25°	.010	Ø.010	125RA
					x	±.020	±.50°	.020	Ø.020	250RA
					-	±.063	±1.0°	.063	Ø.063	500RA
						BREAK EDGES, UNLESS NOTED R.016 ±.003 x 45°				
						FILLETS, UNLESS NOTED R.010 ±.003				
										NEW WORLD TECHNOLOGIES INCORPORATED ABBOTSFORD, BRITISH COLUMBIA, CANADA PHONE: 604-852-0405, FAX: 604-852-0269 WWW.NWT.CO
										NEW WORLD TECHNOLOGIES INCORPORATED ABBOTSFORD, BRITISH COLUMBIA, CANADA PHONE: 604-852-0405, FAX: 604-852-0269 WWW.NWT.CO
										Q.A. CHKD A.M. MFG. CHKD P.M. ENG. APPD D.S.
										Third Angle Projection
										DWG. NO. 17643A
										REV. SHT. SZ. 1 / 1 A