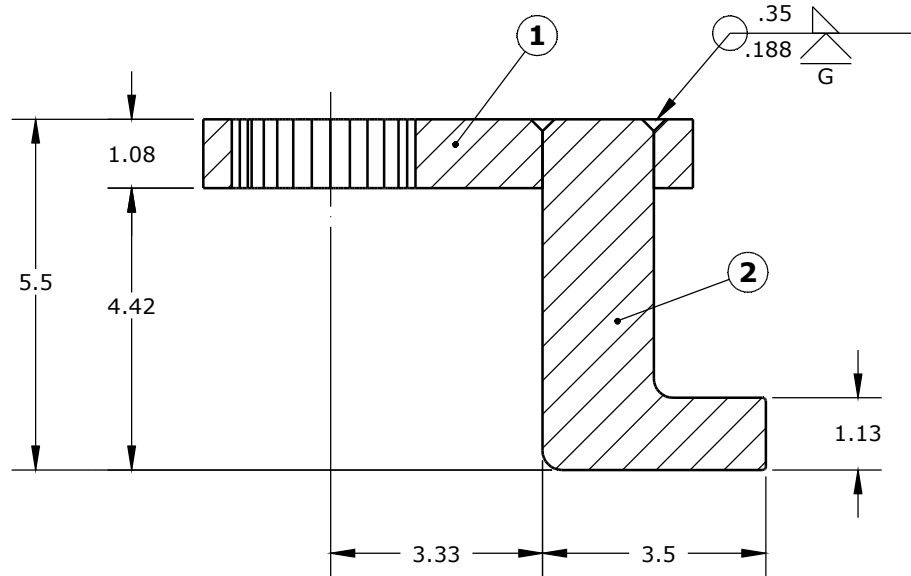
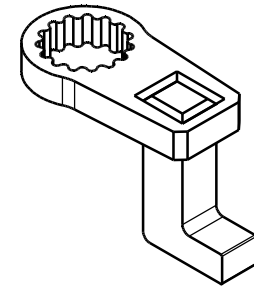
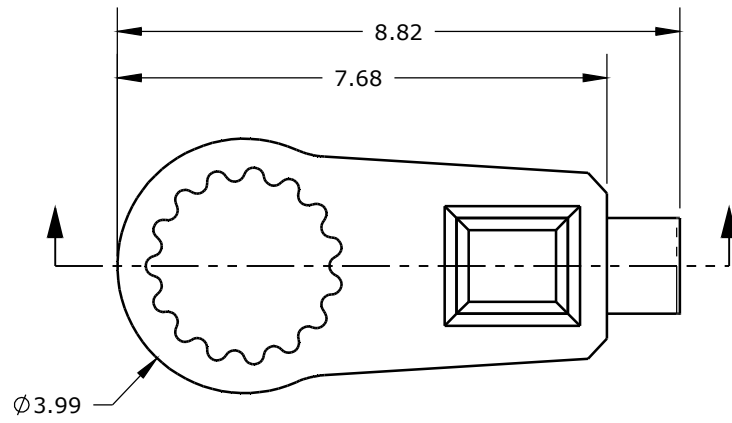


**DO NOT SCALE DRAWING**



ITEM NO.	PART NUMBER	DESCRIPTION	QTY.
1	16260A	REACTION BLANK SR14	1
2	16161A	E-RAD 6000 ARM - 90°	1

REV.	DESCRIPTION	ENG.	E.C.O.	YY.MM.DD	UNLESS OTHERWISE SPECIFIED DIMENSIONS ARE IN INCHES.	C.A.D. SCALE 1:3	<b>PROPRIETARY AND CONFIDENTIAL</b> THE INFORMATION CONTAINED HEREIN IS THE CONFIDENTIAL PROPERTY OF NEW WORLD TECHNOLOGIES. ANY REPRODUCTION WITHOUT PRIOR WRITTEN CONSENT FROM NEW WORLD TECHNOLOGIES IS STRICTLY PROHIBITED. NEW WORLD TECHNOLOGIES INCORPORATED ABBOTSFORD, BRITISH COLUMBIA, CANADA Phone: 604-852-0405, Fax: 604-852-0269 Website: www.radtorque.com		
					TOLERANCES AND SURFACE FINISH:				
					DECIMAL LINEAR ANGULAR T.I.R. POSITION FINISH	WEIGHT			
					.xxxx ±.002 ±.05° .002 Ø.002 32RA	DRAWN NAME YY.MM.DD	TITLE		
					.xxx ±.005 ±.10° .005 Ø.005 63RA	ENG. CHKD	E-RAD 60DX REACTION ARM		
					.xx ±.010 ±.25° .010 Ø.010 125RA	Q.A. CHKD	Third Angle Projection		
					.x ±.020 ±.50° .020 Ø.020 250RA	MFG. CHKD	DWG. NO.	REV. SHT.	SZ.
					. ±.063 ±1.0° .063 Ø.063 500RA	ENG. APPD	16368A	1/1	A
					BREAK EDGES, UNLESS NOTED .016±.003 x 45°				
					FILLETS, UNLESS NOTED R.010±.003				