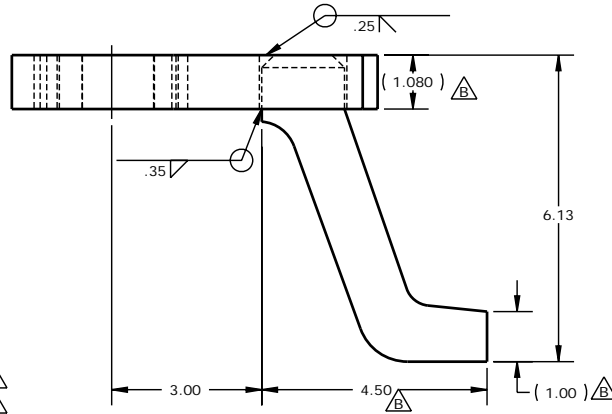
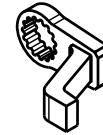
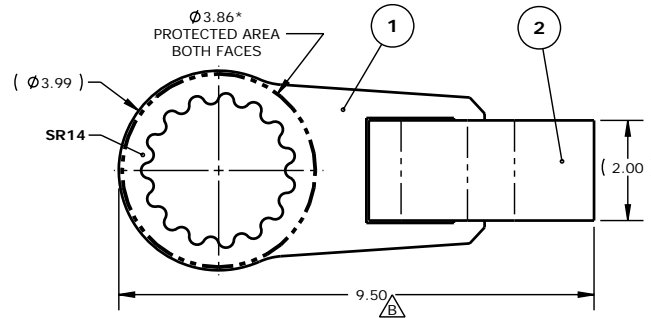


DO NOT SCALE DRAWING



ITEM NO.	PART NUMBER	DESCRIPTION	QTY.
1	15373B	REACTION BLANK SR14	1
2	15374B	ARM	1



NOTE:
POWDER COAT YELLOW PS111Y22, EXCEPT INSIDE AREAS MARKED *.

REV.	DESCRIPTION	ENG.	E.C.O.	YY.MM.DD	UNLESS OTHERWISE SPECIFIED DIMENSIONS ARE IN INCHES.	C.A.D. SCALE	1:2.5	 <small>NEW WORLD TECHNOLOGIES INCORPORATED ABBOTSFORD, BRITISH COLUMBIA, CANADA Phone: 604-852-0465, Fax: 604-852-0299 Website: www.radforce.com</small>	
B	60DX-6.55, 4.00-4.50, (1.200)-(1.000), (1.125)-(1.080), 15373A-15373B, 15374A-15374B, CUT (1.080)	D.S.	0109	09.06.04		MATERIAL		PROPRIETARY AND CONFIDENTIAL THE INFORMATION CONTAINED HEREIN IS THE CONFIDENTIAL PROPERTY OF NEW WORLD TECHNOLOGIES. ANY REPRODUCTION WITHOUT PRIOR WRITTEN CONSENT FROM NEW WORLD TECHNOLOGIES IS STRICTLY PROHIBITED.	
TOLERANCES AND SURFACE FINISH:						WEIGHT NAME YY.MM.DD DRAWN D.S. 09.02.17 ENG. CHKD D.S. 09.02.23 C.A. CHKD P.D. 09.02.23 MFG. CHKD P.M. 09.02.23 ENG. APPD D.S. 09.02.24			
DECIMAL LINEAR ANGULAR T.I.R. POSITION FINISH						TITLE REACTION ARM RAD 60DX 15373-15374			
xxx ±.002 ±.05° .002 Ø .002 32RA						DWG. NO. 15375B REV. SH. SZ. 1/1 A Projection			
xxx ±.005 ±.10° .005 Ø .005 63RA									
xx ±.010 ±.25° .010 Ø .010 125RA									
x ±.020 ±.50° .020 Ø .020 250RA									
±.063 ±1.0° .063 Ø .063 500RA									
BREAK EDGES, UNLESS NOTED 0.16 ±.003 x 45°									
FILLETS, UNLESS NOTED R.010 ±.003									