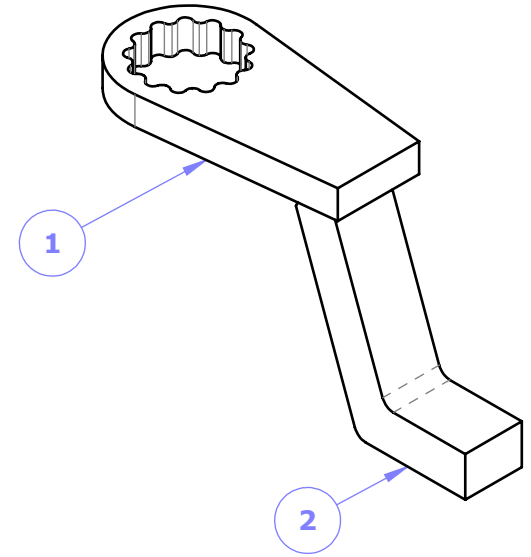
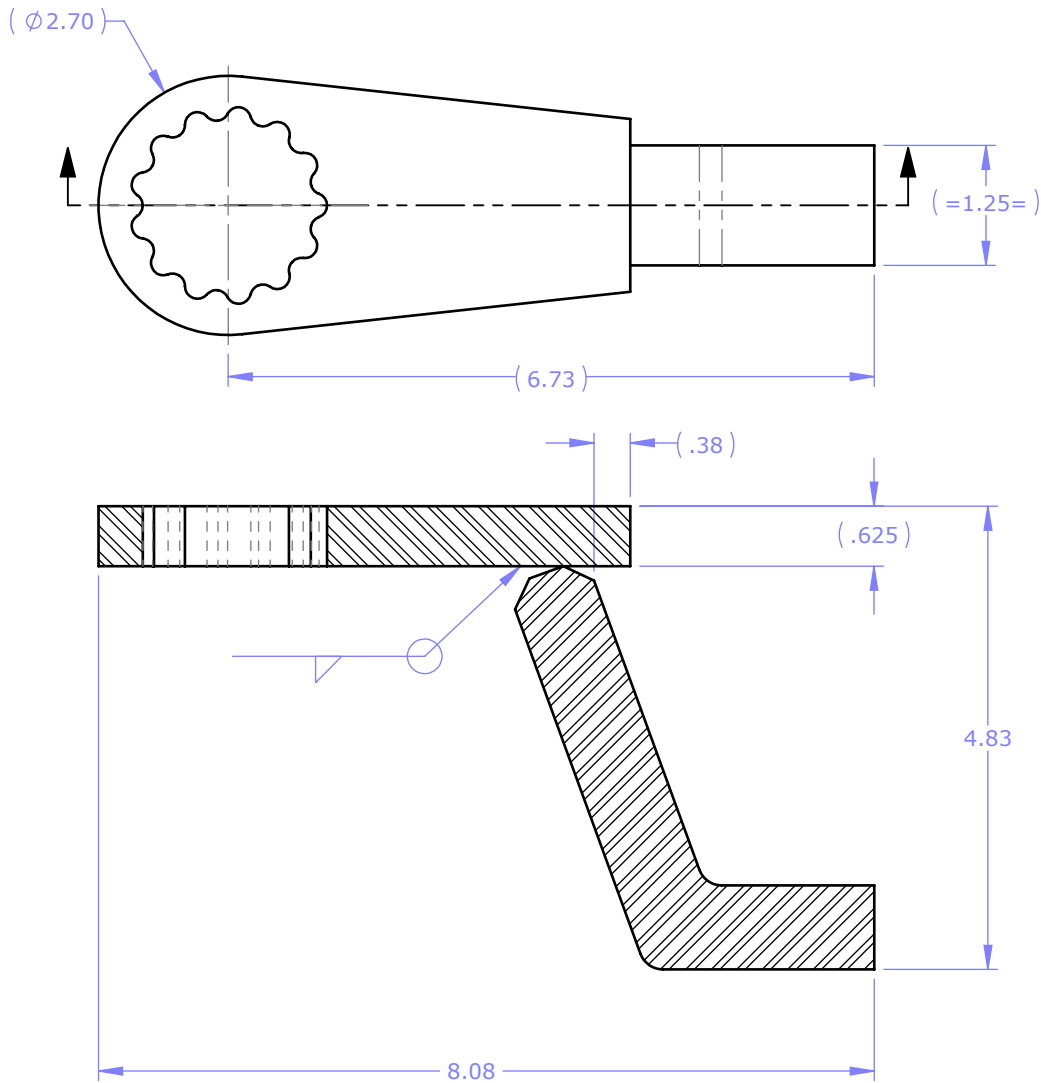


DO NOT SCALE DRAWING



NOTES:
1. FINISH: YELLOW CHROMATE

RELEASED FOR FABRICATION
ENGINEERING JOHN DATE 14.12.11

ITEM NO.	PART NUMBER	DESCRIPTION	QTY.
1	17888A	BLANK 15DX	1
2	11667B	ARM 4.83 X 3.74 X 1.25 110°	1

REV.	DESCRIPTION	ENG.	E.C.O.	YY.MM.DD

UNLESS OTHERWISE SPECIFIED DIMENSIONS ARE IN INCHES.

TOLERANCES AND SURFACE FINISH:

DECIMAL	LINEAR	ANGULAR	T.I.R.	POSITION	FINISH
.xxxx	±.002	±.05°	.002	Ø.002	32RA
.xxx	±.005	±.10°	.005	Ø.005	63RA
.xx	±.010	±.25°	.010	Ø.010	125RA
.x	±.020	±.50°	.020	Ø.020	250RA
.	±.063	±1.0°	.063	Ø.063	500RA

BREAK EDGES, UNLESS NOTED .016±.003 x 45°
FILLETS, UNLESS NOTED R.010±.003

C.A.D. SCALE 1:2

MATERIAL

WEIGHT

DRAWN	NAME	YY.MM.DD
J.I.	J.I.	14.12.11

ENG. CHKD D.S.
Q.A. CHKD A.M.
MFG. CHKD P.M.
ENG. APPD D.S.

NEW WORLD TECHNOLOGIES INCORPORATED

THE INFORMATION CONTAINED HEREIN IS THE CONFIDENTIAL PROPERTY OF NEW WORLD TECHNOLOGIES. ANY REPRODUCTION WITHOUT PRIOR WRITTEN CONSENT FROM NEW WORLD TECHNOLOGIES IS STRICTLY PROHIBITED.

NEW WORLD TECHNOLOGIES INCORPORATED
ABBOTSFORD, BRITISH COLUMBIA, CANADA
Phone: 604-852-0405, Fax: 604-852-0269
Website: www.radtorque.com

**RA 4.83 EXT 110°
RAD 15DX 0.63 SR16**

Third Angle Projection

DWG. NO. **14214A** REV. SHT. 1/1 SZ. A