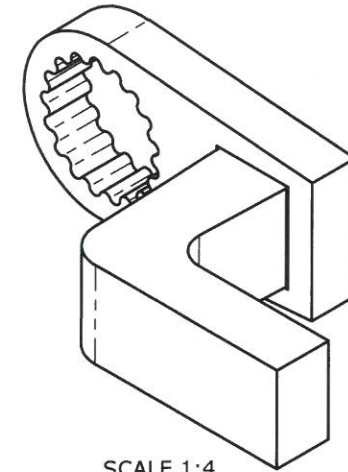
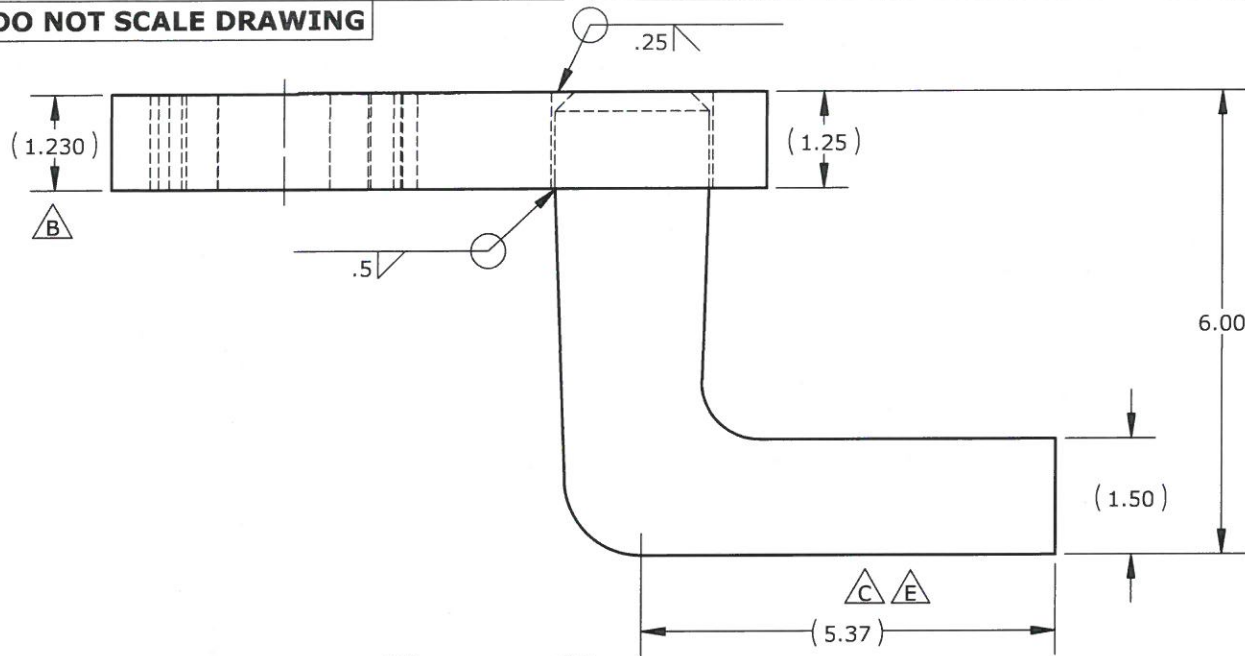
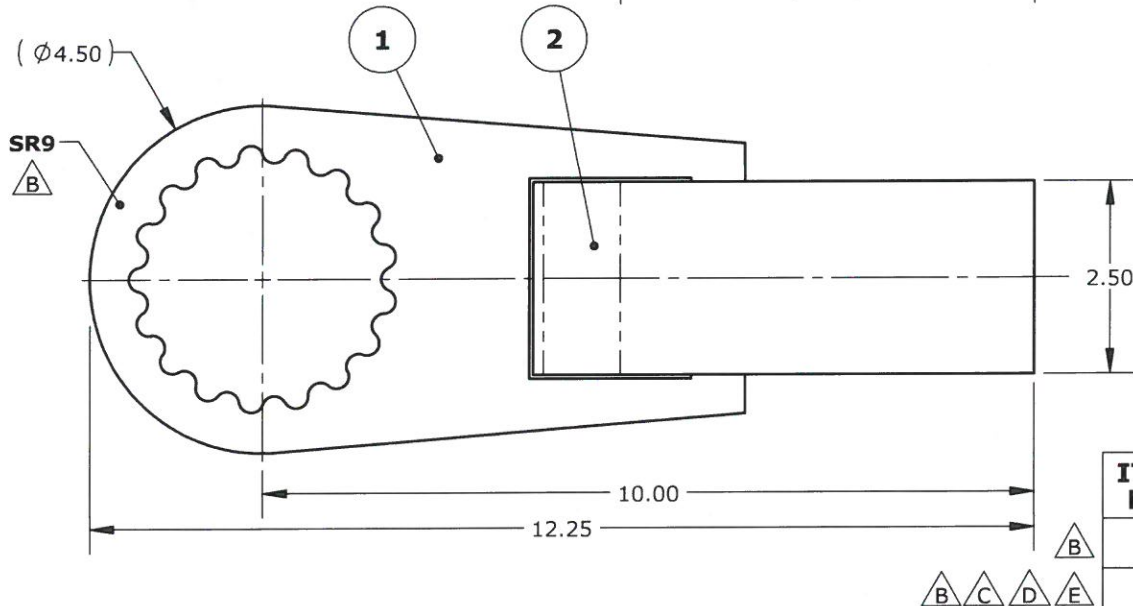


DO NOT SCALE DRAWING



SCALE 1:4

RELEASED FOR FABRICATION
 ENGINEERING KT DATE 14.07.28



NOTE:
 1. YELLOW CHROMATE DIP

ITEM NO.	PART NUMBER	DESCRIPTION	QTY.
1	13505B	REACTION BLANK SR9	1
2	15224B	85GX STD REACTION ARM - 90 deg	1

REV.	DESCRIPTION	ENG.	E.C.O.	YY.MM.DD
B	12886A=13505B, 12887A=12887B, STANDARD REACTION...=REACTION...; ADDED (1.230), SR9	0044	D.S.	07.01.03
C	(3.50)=(5.00), 12887B=12887C, REACTION ARM 12886-12887=REACTION ARM 13505-12887	0055	D.S.	07.05.24
D	12887C=12887D, REACTION ARM 13505-12887=REACTION ARM RAD 85GX 13505-12887	0074	D.S.	08.02.25
E	12887D REPLACED BY 15224B	N/A	K.T.	14.07.28

UNLESS OTHERWISE SPECIFIED DIMENSIONS ARE IN INCHES.

TOLERANCES AND SURFACE FINISH:

DECIMAL	LINEAR	ANGULAR	T.I.R.	POSITION	FINISH
.xxxx	±.002	±.05°	.002	Ø.002	32RA
.xxx	±.005	±.10°	.005	Ø.005	63RA
.xx	±.010	±.25°	.010	Ø.010	125RA
.x	±.020	±.50°	.020	Ø.020	250RA
.	±.063	±1.0°	.063	Ø.063	500RA

BREAK EDGES, UNLESS NOTED .016±.003 x 45°
 FILLETS, UNLESS NOTED R.010±.003

C.A.D. SCALE		1:2.5	
MATERIAL			
WEIGHT			
NAME	YY.MM.DD	TITLE	
DRAWN	D.S. 05.12.02	REACTION ARM RAD 85GX 13505-15224	
ENG. CHKD	D.S. 05.12.02	REV. SHT. SZ.	
Q.A. CHKD	P.D. 05.12.02	1/1 A	
MFG. CHKD	P.M. 05.12.02	DWG. NO. 12885E	
ENG. APPD	D.S. 05.12.02	REV. SHT. SZ.	

NEW WORLD TECHNOLOGIES INCORPORATED

ABBOTSFORD, BRITISH COLUMBIA, CANADA
 Phone: 604-852-0405, Fax: 604-852-0269
 Website: www.ractorque.com

PROPRIETARY AND CONFIDENTIAL
 THE INFORMATION CONTAINED HEREIN IS THE CONFIDENTIAL PROPERTY OF NEW WORLD TECHNOLOGIES. ANY REPRODUCTION WITHOUT PRIOR WRITTEN CONSENT FROM NEW WORLD TECHNOLOGIES IS STRICTLY PROHIBITED.

Third Angle Projection