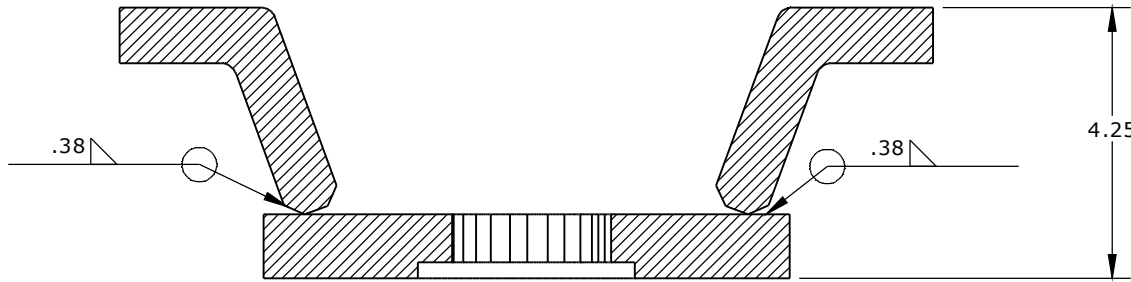
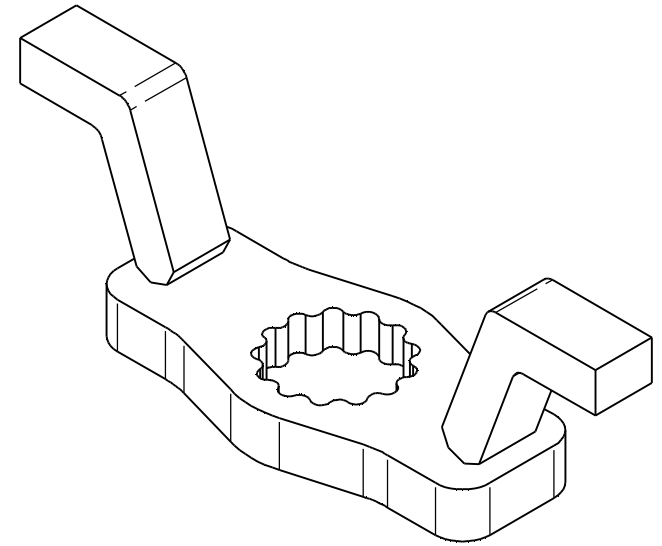
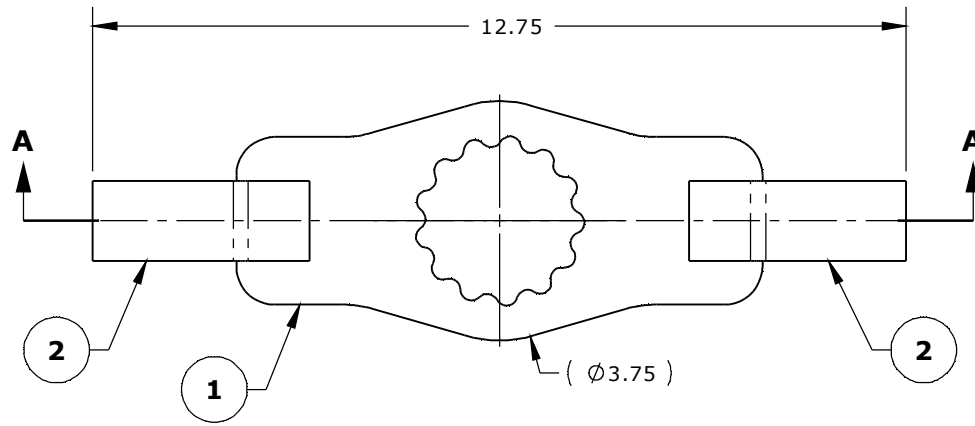


DO NOT SCALE DRAWING



SECTION A-A

NOTES:

1. FINISH : YELLOW CHROMATE
2. GRIND CHAMFERS ON SQUARE CORNERS BEFORE WELDING

ITEM NO.	PART NUMBER	DESCRIPTION	QTY.
1	11532C	RAD 34GX DOUBLE ENDED REACTION ARM BLANK	1
2	11668A	1800NG ARM PROFILE	2

REV.	DESCRIPTION	ENG.	E.C.O.	YY.MM.DD	UNLESS OTHERWISE SPECIFIED DIMENSIONS ARE IN INCHES.	C.A.D. SCALE	1:3	PROPRIETARY AND CONFIDENTIAL THE INFORMATION CONTAINED HEREIN IS THE CONFIDENTIAL PROPERTY OF NEW WORLD TECHNOLOGIES. ANY REPRODUCTION WITHOUT PRIOR WRITTEN CONSENT FROM NEW WORLD TECHNOLOGIES IS STRICTLY PROHIBITED. NEW WORLD TECHNOLOGIES INCORPORATED ABBOTSFORD, BRITISH COLUMBIA, CANADA Phone: 604-852-0405, Fax: 604-852-0269 Website: www.radtorque.com																		
					TOLERANCES AND SURFACE FINISH:	MATERIAL	N/A	<table border="1"> <tr> <td>DRAWN</td> <td>C.M.</td> <td>11.02.23</td> <td rowspan="5"> TITLE RAD 34GX DOUBLE ENDED REACTION ARM </td> </tr> <tr> <td>ENG. CHKD</td> <td>D.S.</td> <td></td> </tr> <tr> <td>Q.A. CHKD</td> <td>A.M.</td> <td></td> </tr> <tr> <td>MFG. CHKD</td> <td>P.M.</td> <td></td> </tr> <tr> <td>ENG. APPD</td> <td>D.S.</td> <td></td> </tr> </table>			DRAWN	C.M.	11.02.23	TITLE RAD 34GX DOUBLE ENDED REACTION ARM	ENG. CHKD	D.S.		Q.A. CHKD	A.M.		MFG. CHKD	P.M.		ENG. APPD	D.S.	
DRAWN	C.M.	11.02.23	TITLE RAD 34GX DOUBLE ENDED REACTION ARM																							
ENG. CHKD	D.S.																									
Q.A. CHKD	A.M.																									
MFG. CHKD	P.M.																									
ENG. APPD	D.S.																									
					DECIMAL LINEAR ANGULAR T.I.R. POSITION FINISH	WEIGHT																				
					.xxxx ±.002 ±.05° .002 Ø.002 32RA	NAME	YY.MM.DD																			
					.xxx ±.005 ±.10° .005 Ø.005 63RA																					
					.xx ±.010 ±.25° .010 Ø.010 125RA																					
					.x ±.020 ±.50° .020 Ø.020 250RA																					
					. ±.063 ±1.0° .063 Ø.063 500RA																					
					BREAK EDGES, UNLESS NOTED .016±.003 x 45°	Third Angle Projection		DWG. NO.	REV. SHT.	SZ.																
					FILLETS, UNLESS NOTED R.010±.003			11533A	1 / 1	A																