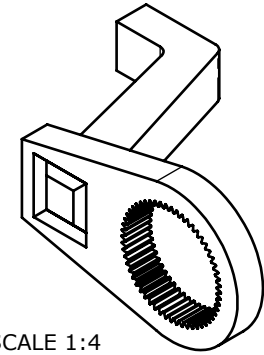
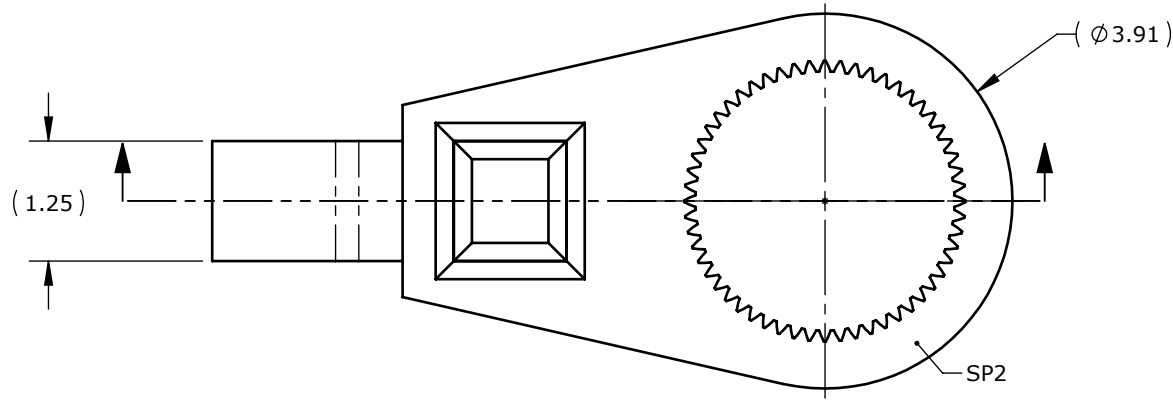
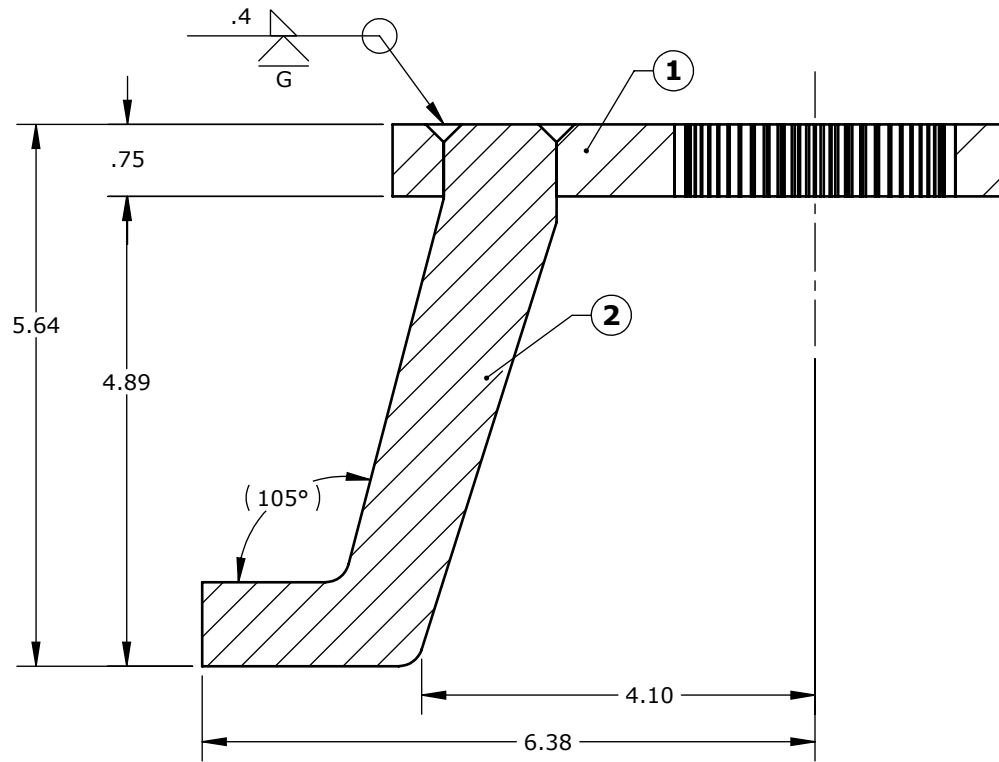


DO NOT SCALE DRAWING



SCALE 1:4



RELEASED FOR FABRICATION
ENGINEERING K.T. DATE 16.02.17

NOTE:
1. FINISH: YELLOW CHROMATE

ITEM NO.	PART NUMBER	DESCRIPTION	QTY.
1	11511H	BLANK 4.4 CE 0.75 SP2	1
2	11674C	RAD 30 DEEP ARM	1

REV.	DESCRIPTION	ENG.	E.C.O.	YY.MM.DD
B	REDRAWN IN SOLIDWORKS	K.T.		16.02.17

UNLESS OTHERWISE SPECIFIED DIMENSIONS ARE IN INCHES.

TOLERANCES AND SURFACE FINISH:

DECIMAL	LINEAR	ANGULAR	T.I.R.	POSITION	FINISH
.xxxx	±.002	±.05°	.002	Ø.002	32RA
.xxx	±.005	±.10°	.005	Ø.005	63RA
.xx	±.010	±.25°	.010	Ø.010	125RA
.x	±.020	±.50°	.020	Ø.020	250RA
.	±.063	±1.0°	.063	Ø.063	500RA

BREAK EDGES, UNLESS NOTED .016±.003 x 45°
FILLETS, UNLESS NOTED R.010±.003

C.A.D. SCALE 1:2		
MATERIAL N/A		
WEIGHT		
DRAWN	NAME	YY.MM.DD
Q.A. CHKD		
MFG. CHKD		
ENG. APPD		

NEW WORLD TECHNOLOGIES INCORPORATED

THE INFORMATION CONTAINED HEREIN IS THE CONFIDENTIAL PROPERTY OF NEW WORLD TECHNOLOGIES. ANY REPRODUCTION WITHOUT PRIOR WRITTEN CONSENT FROM NEW WORLD TECHNOLOGIES IS STRICTLY PROHIBITED.

NEW WORLD TECHNOLOGIES INCORPORATED
ABBOTSFORD, BRITISH COLUMBIA, CANADA
Phone: 604-852-0405, Fax: 604-852-0269
Website: www.radtorque.com

**REACTION ARM 4.89 EXT 4.1/6.4
-105 RAD 30 DEEP .75 SP2**

Third Angle Projection

DWG. NO. **10025B** REV. SHT. 1/1 SZ. A