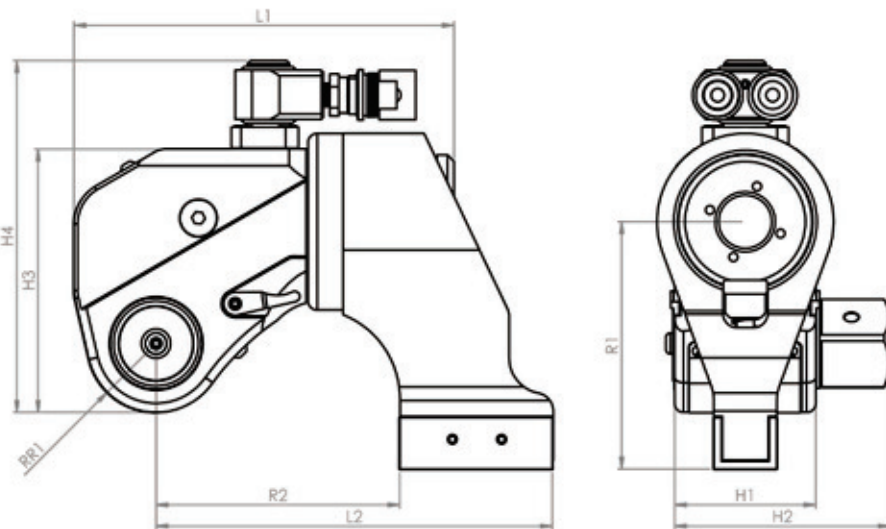
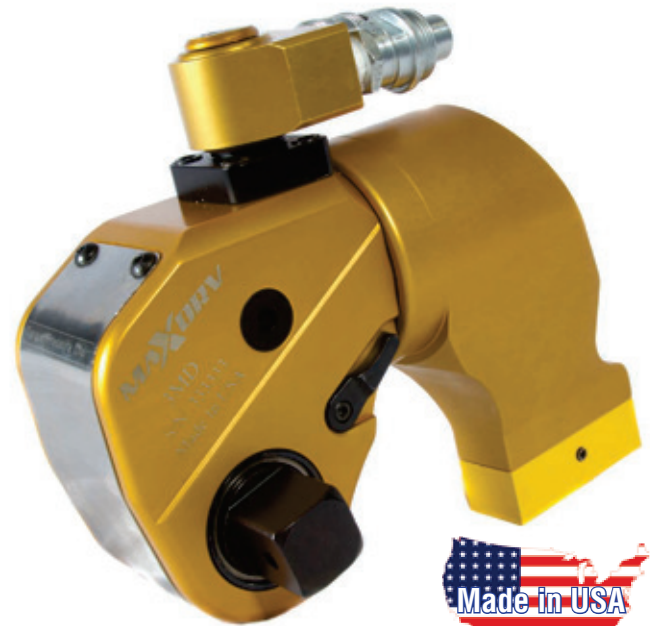


**MAXDRV** SERIES  
SQUARE DRIVE TORQUE WRENCHES



MAXDRV Series Square Drive Torque Wrench offer a compact design constructed of aluminum-titanium alloy and super high strength steel alloy for increased strength and durability while minimizing the weight. The MAXDRV Series is available in 82-ft-lbs. to 51,000 ft-lbs. torque range.

**MAXDRV** SERIES SQUARE DRIVE TORQUE WRENCHES

Model	.7MD	1MD	3MD	5MD	10MD	17MD
Torque (Ft-Lbs.)	64-793	125-1,318	270-3,030	538-5,480	1,050-11,206	1,640-17,502
Drive	3/4"	3/4"	1"	1-1/2"	1-1/2"	2-1/2"
Weight	3.2 lbs	5 lbs	11 lbs	18 lbs	32 lbs	61 lbs
L1	3.90"	4.83"	6.18"	7.47"	9.36"	10.85"
L2	5.08"	6.23"	8.13"	9.73"	12.22"	14.20"
L3	3.32"	4.11"	5.31"	6.41"	8.02"	9.19"
H1	1.62"	1.97"	2.63"	3.16"	3.95"	4.63"
H2	2.56"	2.88"	3.72"	4.93"	5.75"	6.98"
H3	3.02"	3.77"	4.88"	5.97"	7.35"	8.50"
H4	4.29"	4.97"	6.46"	7.71"	9.04"	10.36"
W	1.50"	3.45"	4.49"	5.39"	6.73"	7.82"
R1	.83"	1.04"	1.31"	1.63"	2.03"	2.32"