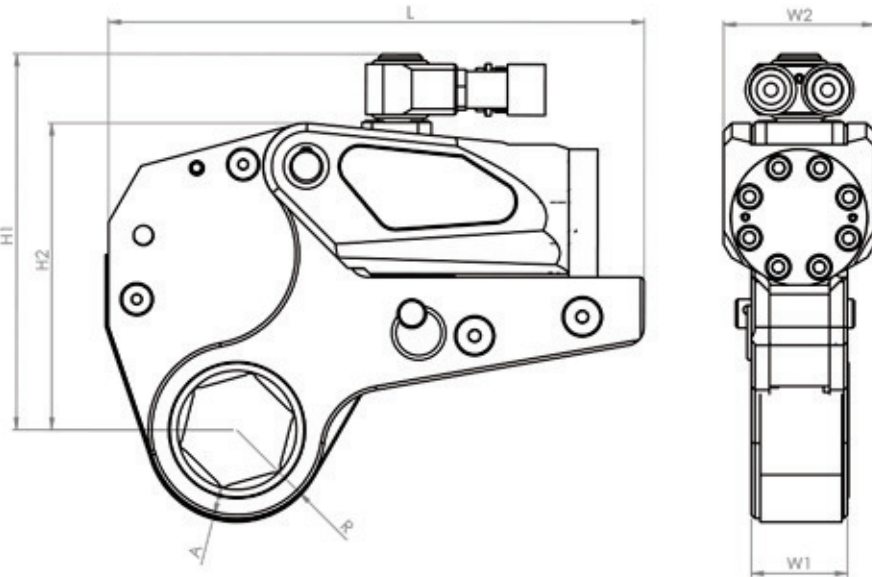


# HEXPRO SERIES

LOW PROFILE TORQUE WRENCHES

HEXPRO Series Low Profile Wrenches are essential tools for limited clearance applications. The versatile HEXPRO Series supports an extensive range of interchangeable hexagon ratchet links that deliver a torque range of 170 ft-lbs. to 30,500 ft-lbs.



# HEXPRO SERIES

LOW PROFILE TORQUE WRENCHES

Model	2HP	4HP	8HP	14HP	30HP
Torque (Ft-Lbs.)	162-1,714	439-4,500	762-8,100	1,245-13,443	3,050-30,500
Hex Size (Imperial)	3/4" - 2-3/8"	1-5/16" - 3-1/8"	1-1/2" - 4-1/8"	2" - 4-5/8"	3-1/8" - 6-7/8"
Power Head	3 lbs	5 lbs	8 lbs	13 lbs	27 lbs
Ratchet Link	4lbs	9 lbs	16 lbs	26 lbs	70 lbs
L	7.32"	9.72"	11.87"	14.24"	17.05"
H1	5.26"	7.85"	8.43"	9.41"	12.40"
H2	4.12"	5.71"	6.95"	8.00"	11.22"
W1	1.25"	1.65"	2.08"	2.52"	3.35"
W2	2.00"	2.60"	3.27"	3.88"	5.16"