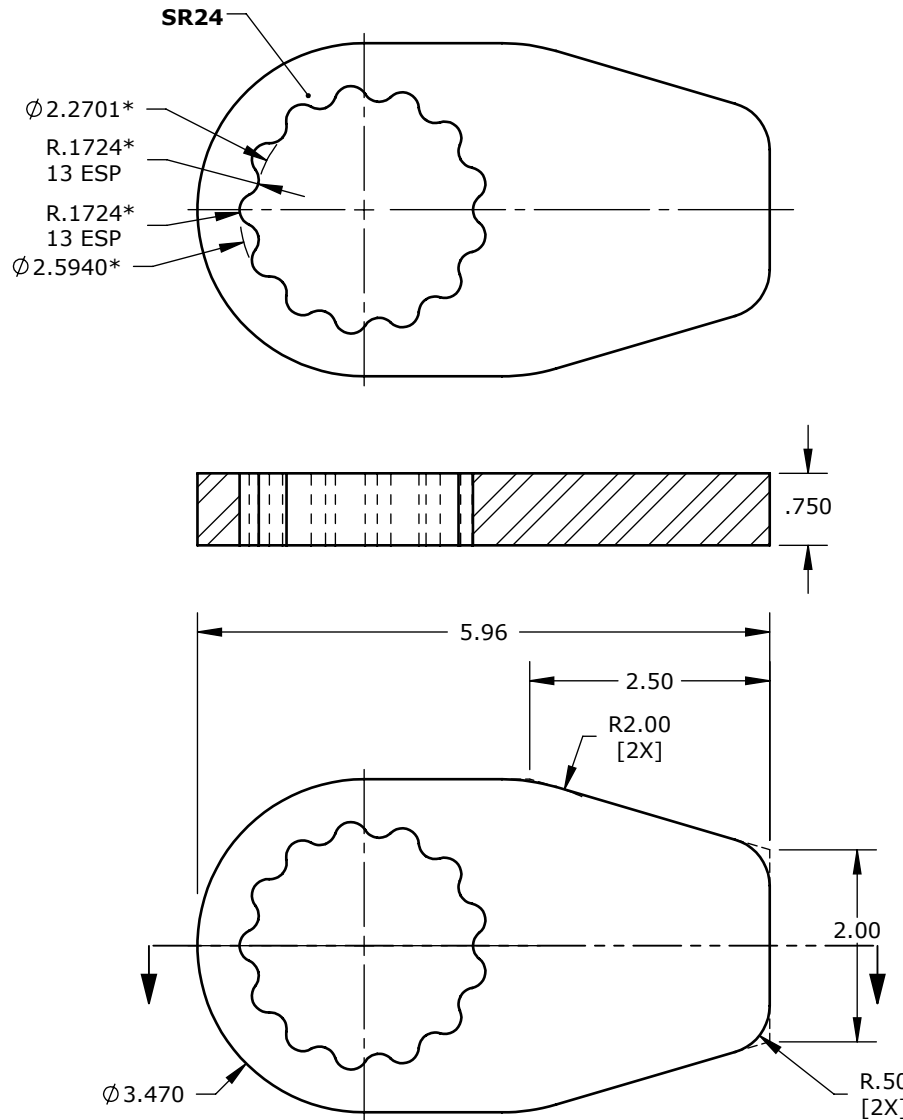



DO NOT SCALE DRAWING



RELEASED FOR FABRICATION
ENGINEERING K.T. DATE 16.01.06

NOTE:
USE NWT GAUGE SR24-INTERNAL TO CHECK SERPENTINE
(DIMENSIONS MARKED *).

REV.	DESCRIPTION	ENG.	E.C.O.	YY.MM.DD	UNLESS OTHERWISE SPECIFIED DIMENSIONS ARE IN INCHES.	C.A.D. SCALE	1:2	 NEW WORLD TECHNOLOGIES INCORPORATED <small>NEW WORLD TECHNOLOGIES INCORPORATED ABBOTSFORD, BRITISH COLUMBIA, CANADA Phone: 604-852-0405, Fax: 604-852-0269 Website: www.radtorque.com</small>	PROPRIETARY AND CONFIDENTIAL
					TOLERANCES AND SURFACE FINISH:	MATERIAL	T1		
					DECIMAL LINEAR ANGULAR T.I.R. POSITION FINISH	WEIGHT			
					.xxxx ±.002 ±.05° .002 Ø.002 32RA	NAME	YY.MM.DD		
					.xxx ±.005 ±.10° .005 Ø.005 63RA	DRAWN	K.T.	15.12.31	TITLE
					.xx ±.010 ±.25° .010 Ø.010 125RA	ENG. CHKD	D.S.		BLANK - WELDABLE
					.x ±.020 ±.50° .020 Ø.020 250RA	Q.A. CHKD	J.A.		30DX - 4.23 CE .75 SR24
					. ±.063 ±1.0° .063 Ø.063 500RA	MFG. CHKD	J.A.		DWG. NO.
					BREAK EDGES, UNLESS NOTED .016±.003 x 45°	ENG. APPD	D.S.		REV. SHT.
					FILLETS, UNLESS NOTED R.010±.003				SZ.
									24813A 1/1 A