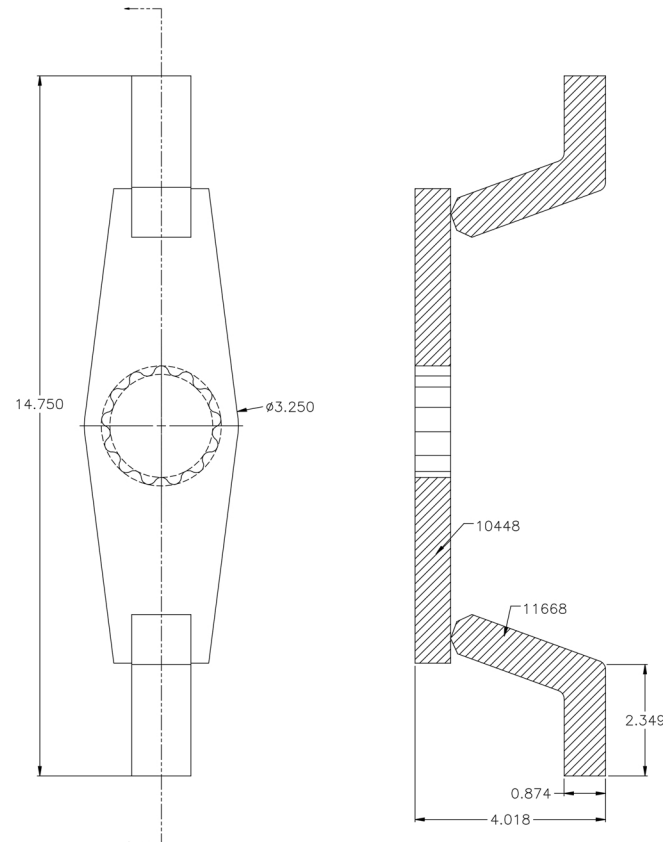


PART NUMBER: 10516

**REACTION ARM: DOUBLE ENDED (WELDABLE) RAD 25GX / 34GX M, DV-RAD 2500 / 3400 M
V-RAD 23 / 31 M, E-RAD BLU 2500COMP / 3400COMP M**



DIMENSIONS ARE IN INCHES



Proprietary and Confidential

The information contain herein is the confidential property of New World Technologies Inc. Any reproduction without prior written consent from New World Technologies Inc. is strictly prohibited.