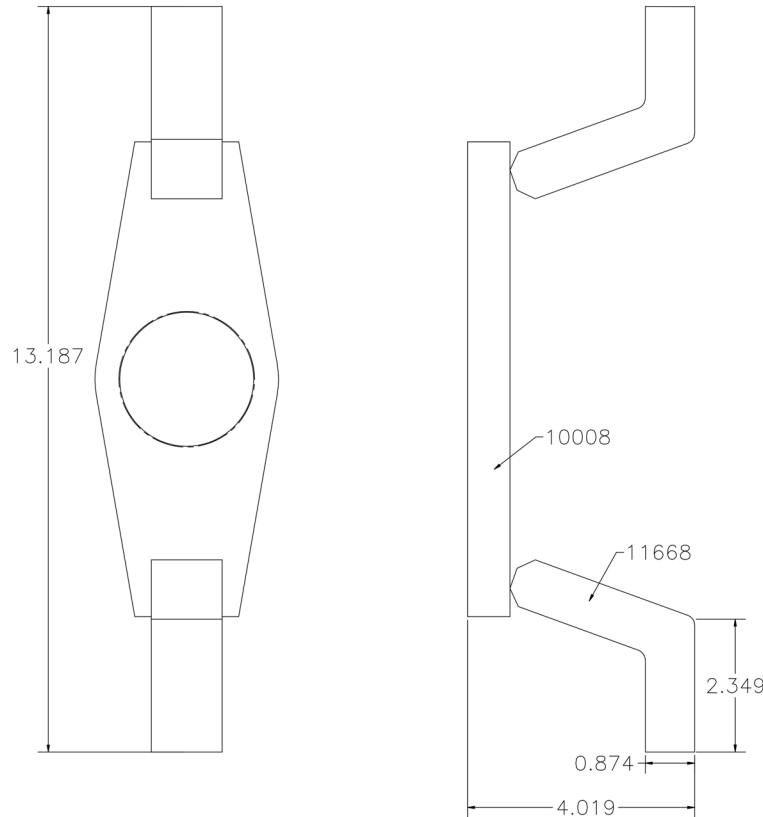


**PART NUMBER: 10009**

**REACTION ARM: DOUBLE ENDED (WELDABLE) RAD 1800NG / 2400NG M, V-RAD 16 / 21 M**



**DIMENSIONS ARE IN INCHES**



**Proprietary and Confidential**

*The information contain herein is the confidential property of New World Technologies Inc. Any reproduction without prior written consent from New World Technologies Inc. is strictly prohibited.*